

1

2

3

4

5

6

7

REV	DATE	MODIFICATION	DRAWN
-----	------	--------------	-------

A

B

C

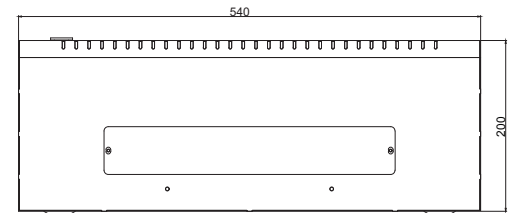
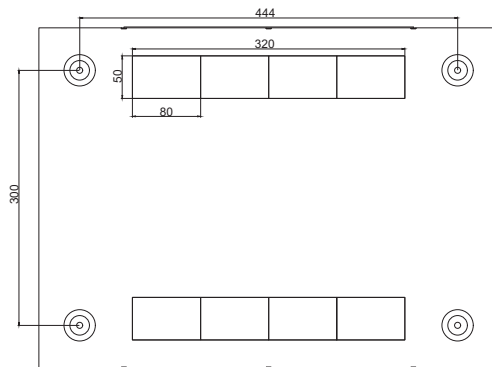
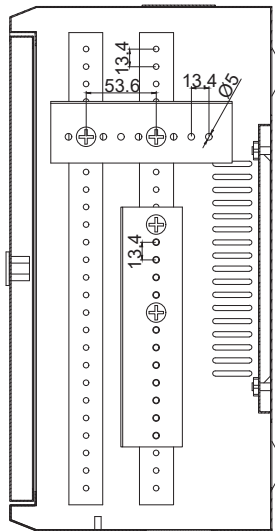
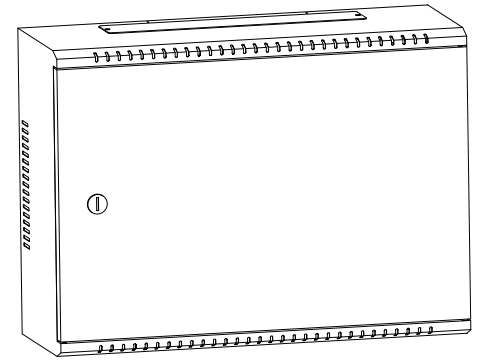
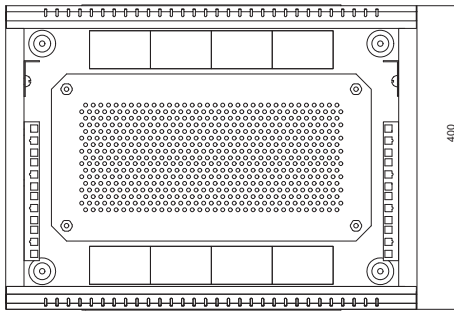
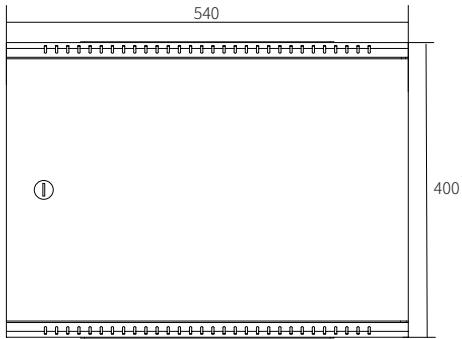
D

A

B

C

D



Description:  
540x400x200mm wall cabinet, 3u+4u

DIMENSION IN mm (Inch) TOLERANCE UNLESS OTHERWISE SPECIFIED		MATERIAL	DWG NO.	
.X±0.10	.X°±5°	TITLE		
.XX±0.05	.XX°±2°	DRAWN	SCALE	SHEET
APPROVAL	CHECKED	PPD	1/1	1/1

1

2

3

4

5

6

7